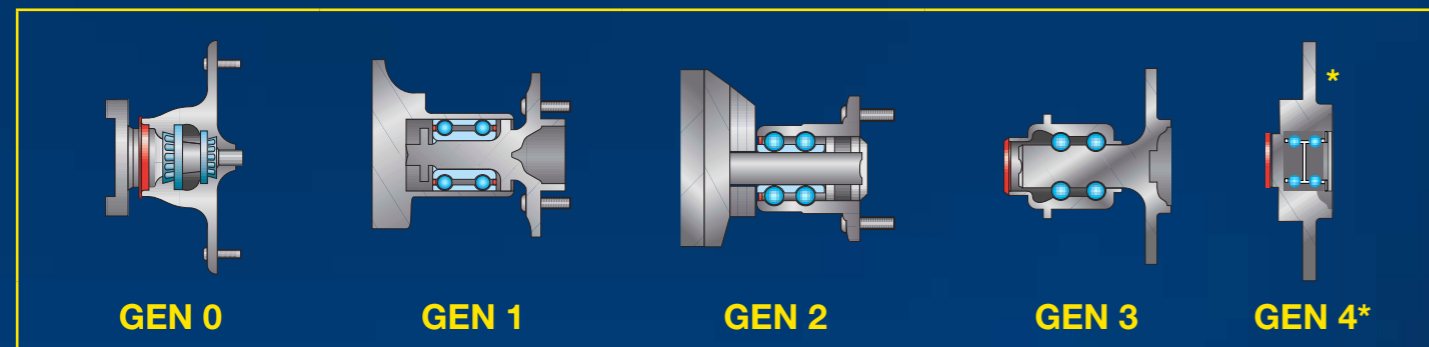


On track with the latest evolutions!



2 separate bearings 1 cartridge bearing Bearing with 1 flange Bearing with integral flanges or with integrated braking disc.*

MOOG BEARING TYPES AVAILABLE

- Single-row deep groove ball bearing
 - Single-row angular contact ball bearing
 - Single-row taper roller bearing
 - Double-row angular contact ball bearing
 - Double-row taper roller bearing
 - Double-row angular contact ball bearing
 - Double-row taper roller bearing
 - Double-row angular contact ball bearing
 - Double-row taper roller bearing
 - Double-row angular contact ball bearing
 - Double-row taper roller bearing
 - GEN 4*: Includes integrated brake discs
-
- Requires line assembly with hub, spindle and other parts
 - Customer maintenance required
 - Assembly affects preload and life
 - Requires line assembly with hub, spindle and other parts
 - No customer maintenance required
 - Assembly affects preload and life
 - Limited line assembly
 - No customer maintenance
 - Assembly affects preload and life
 - Bolt on unitized assembly
 - No customer maintenance required
 - Preload and life not affected by assembly
 - Integral speed sensing
 - Easy mounting process
 - Easy preload settings
 - No clearance adjustment required
 - No additional grease required
 - Integrated seal
 - Lightweight and compact
- GEN 4 specifics**
- Significant weight reduction. Almost half the weight compared to "disc + gen III"
 - Reduction of moment of inertia ensures better durability*
 - Integrated seal and low friction ensures less wear*



WHEEL END BEARINGS FOR THE NEXT GENERATION



EXTENDED RANGE

- OVER 92% MARKET COVERAGE
- INCLUDING THE LATEST GENERATION 4 EVOLUTION
- ALL ACCESSORIES IN THE BOX

MOOG® is a trademark of Federal-Mogul Motorparts. PRMMO1601-EN

www.moogproducts.com

Bearing with us was never so easy

EASY TO TRUST: UNCOMPROMISED OE QUALITY

MOOG is the **global market leader** in Wheel End Bearings. Every part that is provided meets the same **stringent specifications** as the corresponding OE part. Wherever bearings are patented, MOOG provides the OE parts. In this way, MOOG always offers a part you can fully trust.

Building on the unquestioned quality reputation of its steering and suspension components, MOOG now launches an **extended range** of Wheel End Bearings, comprising over 1.100 references, covering all LV and LCV types. A **new part numbering system** and **improved packaging** make it even easier to find the part you need.



EASY TO TRUST

EASY TO KNOW: STAY UP TO DATE OF THE LATEST INNOVATIONS!

All Wheel End Bearings are fully featured in the **new LV MOOG Catalogue** and on www.moogproducts.com, making ordering of the correct part ever so easy. A specific wheel end bearing section will be found at the back of the new catalogue, containing complete **product and application specifications**.

MOOG continues to inject the automotive aftermarket with a unique pioneering and innovative spirit. Want to stay informed? Then please register for our **Easy Solution Bulletins** on our website or check out **FM Campus**.

www.moogproducts.com



EASY TO KNOW



EASY TO INSTALL

EASY TO INSTALL: EVERYTHING INCLUDED IN THE BOX

Every Wheel End Bearing comes with **all necessary accessories** such as nuts & bolts, oil seals, O-rings, washers, caps, circlips, gaskets, split pins etc. All parts are directly available from stock and include every type of bearing that's in use today.



MOOG also covers the latest evolution in Generation 4 bearings, with integral disc

Double row tapered rollers are used instead of ball bearings. The **weight** is substantially lowered, and a reduction of the moment of inertia ensures **better durability**. Furthermore, a reduction of seal usage and friction ensures **less wear**.

Premium quality by MOOG

When it comes to quality, MOOG has quite a reputation. Every Wheel End Bearing that leaves the (ISO 9001 certified) factory is engineered to ensure **maximum strength and durability**:

- Premium **stainless sleeves** are hardened by advanced heat treatment processes
- Top quality **rubber seals**
- Superior **dimensional and surface finish**
- Hubs with **premium integrated oil seal** to eliminate bearing contamination and ABS performance issues
- OEM-aligned **bearing designs** and **ABS sensors**
- **Active Sensor Bearing technology** for compatibility with latest on board diagnostics
- Extensive material and performance **testing**

The benefits for you as an installer:

- An **extensive range** covering all generations
- More than **92% coverage**
- New **part numbering** system following MOOG logic: **xx-WB-1234**
- **A full accessories program** (included in each box) allows for convenient installation
- **Brake disc hub assembly kits** are covered in the range
- **OE level quality**
- Printed and digital **catalogues** with separate Wheel End Bearings section
- **OE parts** are provided wherever bearings are patented
- **Easy Solution** and **technical bulletins** to keep you informed
- **FM Campus virtual trainings** available 24/7 online at www.fmcampus.eu

