



Volkswagen

T5 / T6

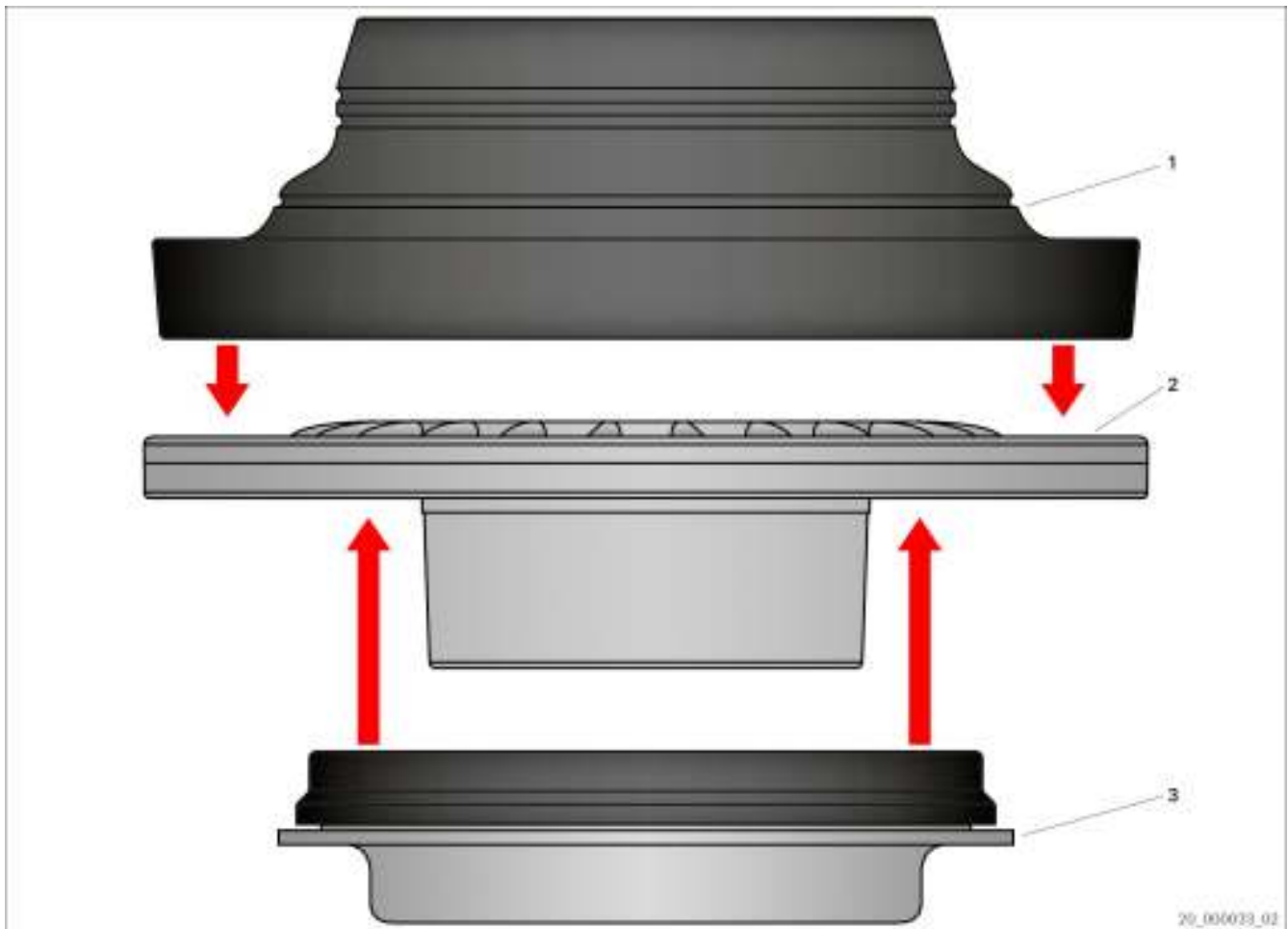


Fig. 1: Assembly of the suspension-strut mount (example)

1 Suspension-strut mount
3 Ball bearings

2 Spring plate

The upper bearing of the suspension strut consists of three parts that have to be assembled in the correct order (Fig. 1).

ZF Aftermarket recommends that the parts always be replaced in pairs for each axle.



Volkswagen T5

➔ Service Information Suspension-strut mount - Various versions (20598 EN).



www.zf.com/serviceinformation