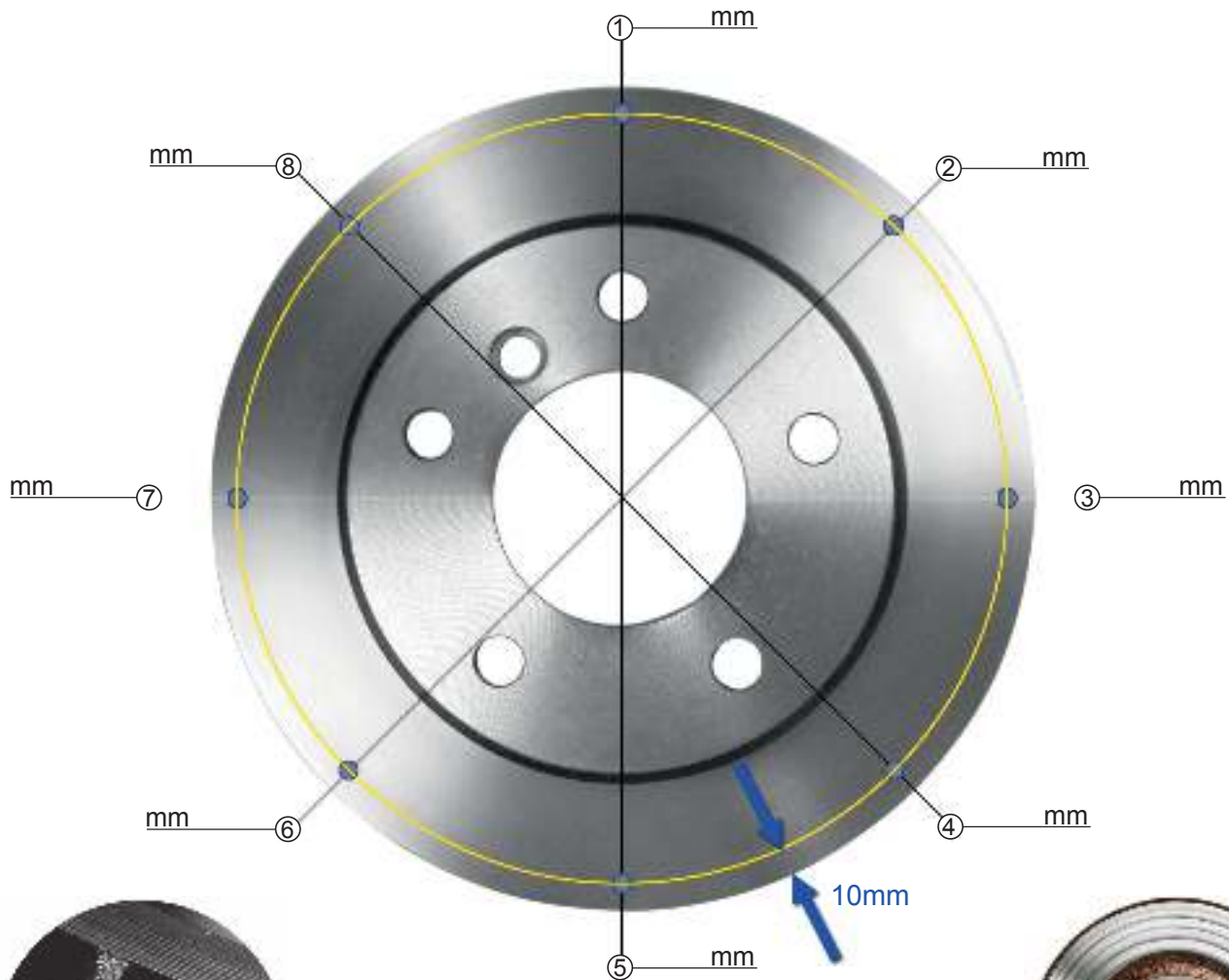


### Measuring Disc Thickness Variance (DTV)



Also check minimum thickness. You'll find the values on the disc or in our catalogue

Calculating DTV	
max value	mm
- min value	mm
= DTV	mm
max 0.015 mm allowed	mm



Corroded, cracked or worn disc; change in pairs

Tool = micrometer screw.  
Measure eight evenly spaced radial locations on the disc 10 mm from the outer diameter.

